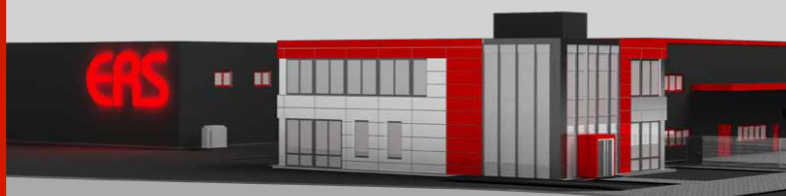
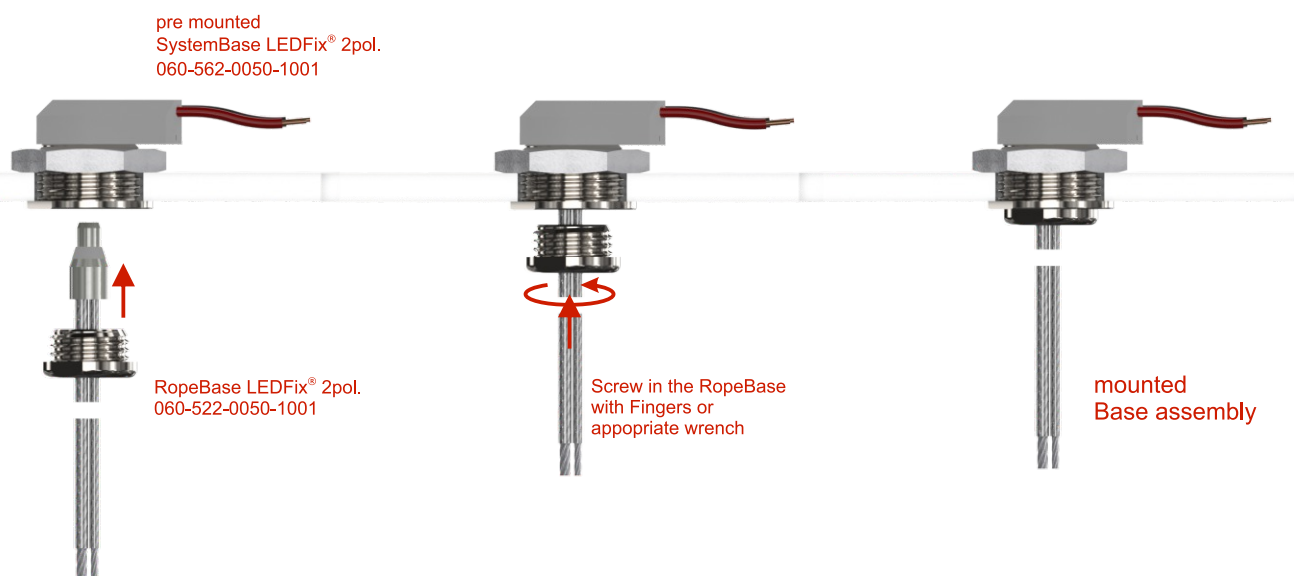


Assembly instructions LEDFix[®] - System

Base LEDFix[®] 2-pol. - built-in version

(SystemBase 060-562-0050-1001 + RopeBase 060-522-0050-1001)

Final assembly on site - by installer or end customer



ERS EuRope-Systems GmbH
Marie-Curie-Str. 7 | 64653 Lorsch
Telefon: +49 6251/98709-0
Telefax: +49 6251/98709-69
E-Mail: vt@europe-systems.de